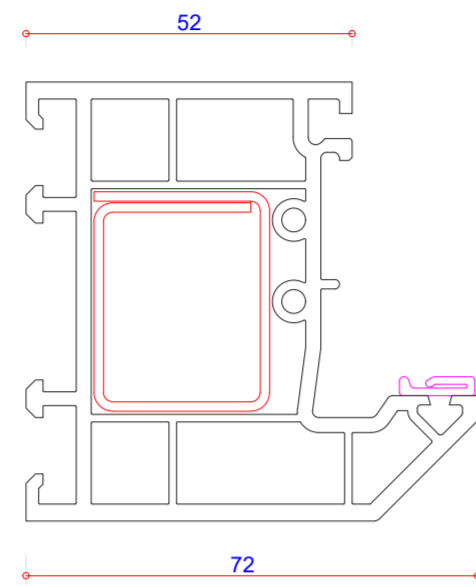
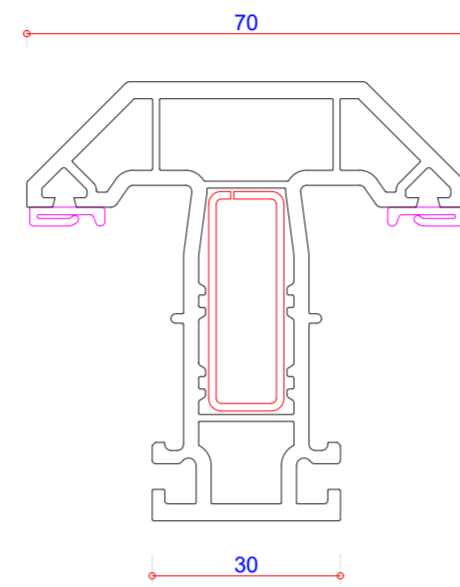


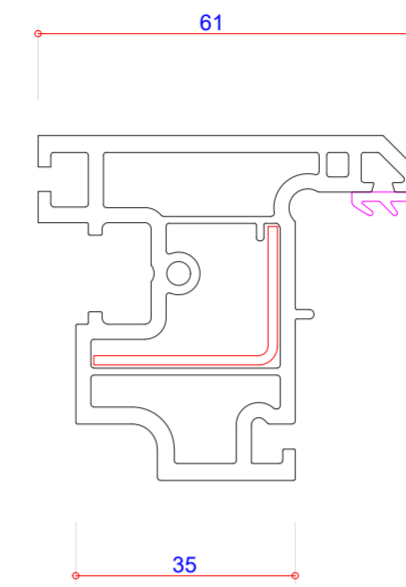
701501
56mm Outer Frame
Steel U Channel 713185
Steel Box 713155
Steel Box 713187



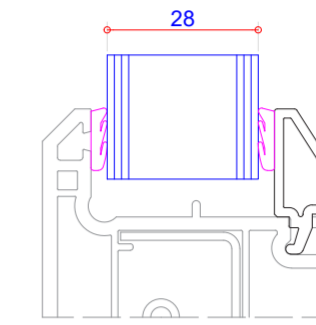
701502
72mm Outer Frame
Steel U Channel 713186
Steel Box 713174
Steel Box 713191



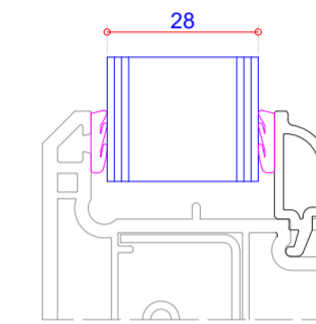
702503
70mm T Transom
Steel Box 713187
Steel Box 713155



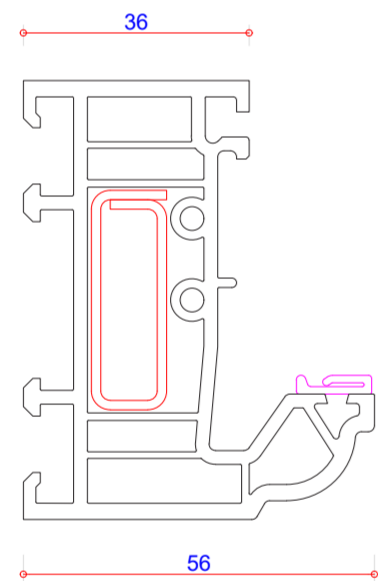
703810
Flush Sash
Steel L 713226
Steel L (Prepped) 713227



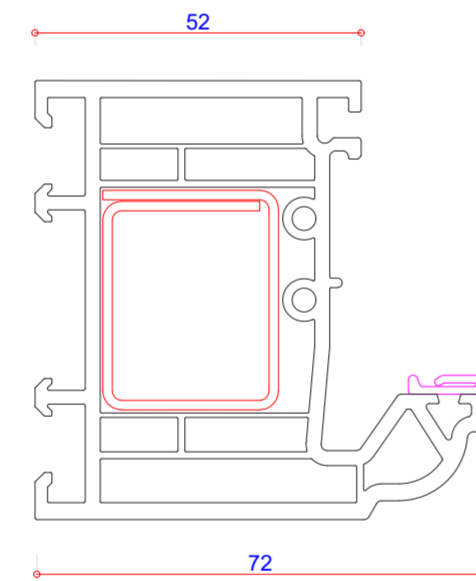
707427
28mm Glazing Bead



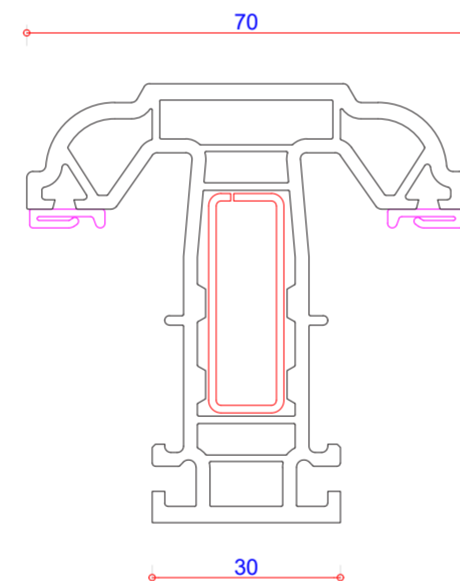
707432
28mm Glazing Bead



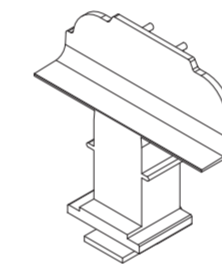
701531
56mm Outer Frame
Steel U Channel 713185
Steel Box 713155
Steel Box 713187



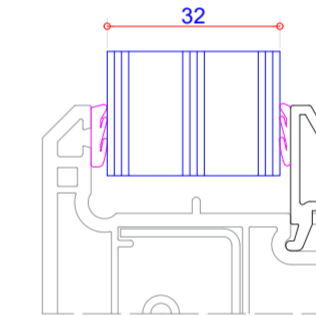
701532
72mm Outer Frame
Steel U Channel 713186
Steel Box 713174
Steel Box 713191



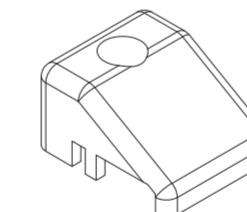
702533
70mm T Transom / French Mullion
Steel Box 713187
Steel Box 713155



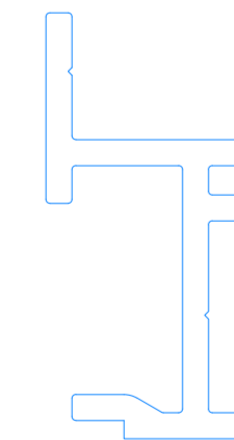
109040
French Mullion End Cap
For use with 702533 only
(white/brown/caramel)



707426
32mm Glazing Bead



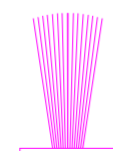
109029
Run Up Block



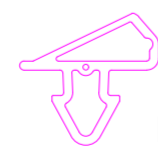
104395
French Mullion Adaptor



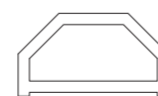
112380
Bead Groove Infill
(Black / White)



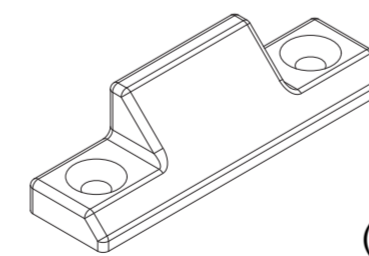
744226
Brush Pile
Bead Groove Infill
(Black)



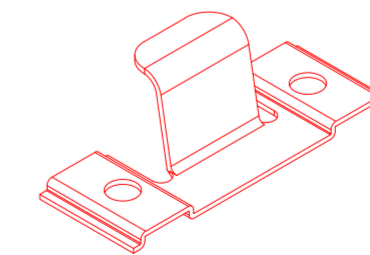
712043
Flush Sash Seal



709824
Georgian Bar



140117.1
Pull In Wedge
(Frame Section)



140117.2
Pull In Wedge
(Sash Section)

- KEY:**
- PVC Profile
 - Gasket
 - Steel
 - Aluminium

Clarification on steel orientation can be obtained via WinDoPlan. DO NOT SCALE. The drawings shown are visual representations only. VEKA PLC has the right to alter the designs, specification & descriptions without prior notice as part of our policy of continuous development and improvements.

