

Bay Order Form

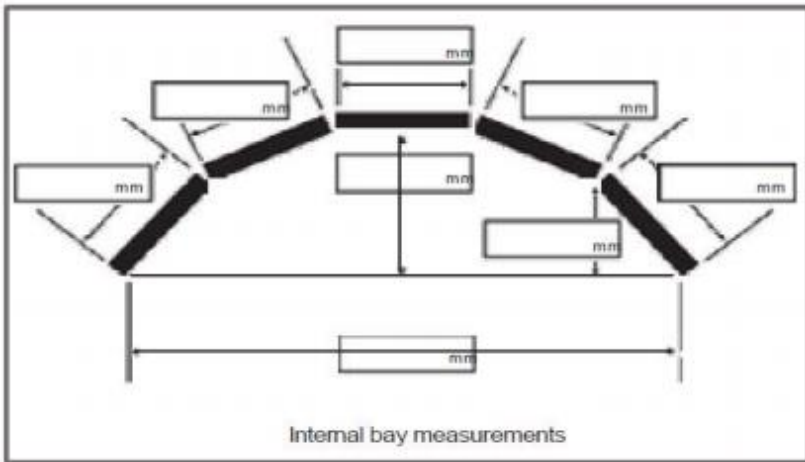
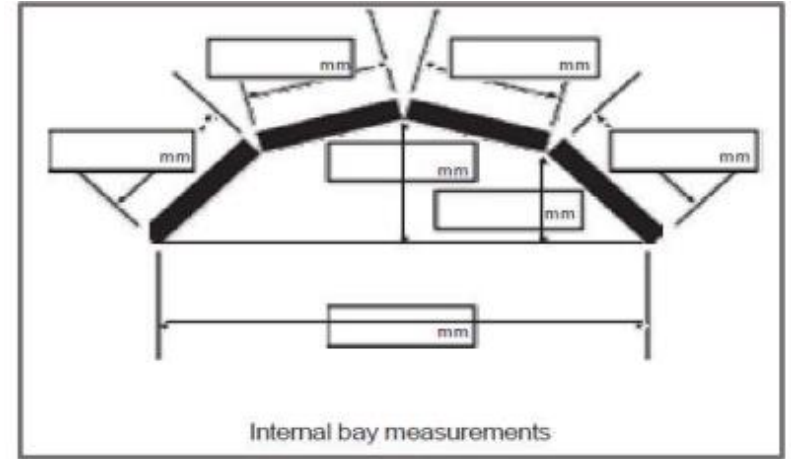
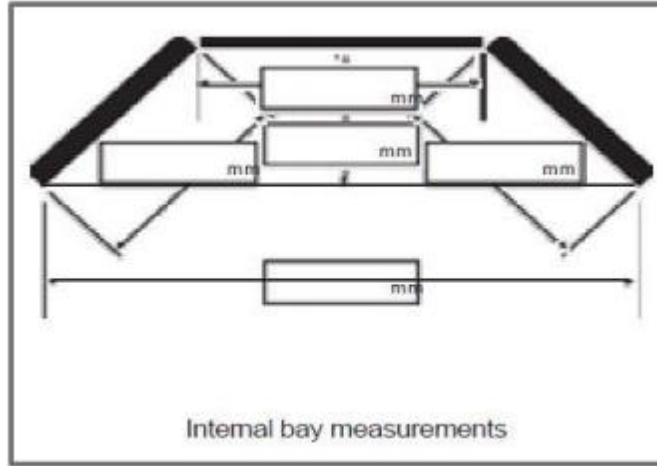
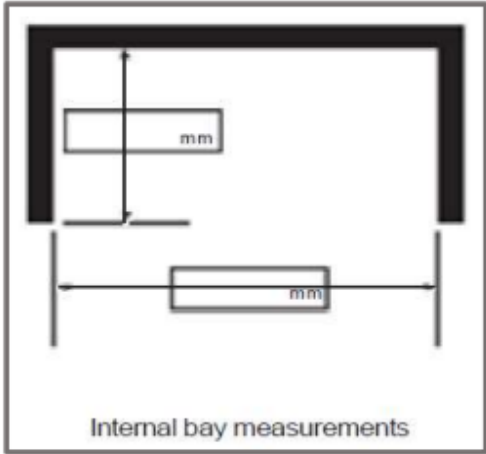
Delivery { } Collection { }

Delivery Address:

| Energy Rating | |
|---------------|--|
| A | |
| B | |
| C | |

| |
|---------------------|
| Customer:..... |
| Reference:..... |
| Tel No:..... |
| Date Ordered:..... |
| Date Required:..... |

Nova House, Sherwood Road, Bromsgrove, B60 3DR
 Tel: 01527 759181
 sales@tradewindowsbromsgrove.co.uk



| Frame Colour | Window designs and additional information | | | | |
|-------------------------|---|-------------------|------|--|--|
| Overall height inc cill | <div style="display: flex; justify-content: space-around;"> <div style="border: 1px solid black; width: 50px; height: 100px;"></div> <div style="border: 1px solid black; width: 50px; height: 100px;"></div> <div style="border: 1px solid black; width: 50px; height: 100px;"></div> <div style="border: 1px solid black; width: 50px; height: 100px;"></div> <div style="border: 1px solid black; width: 50px; height: 100px;"></div> </div> | | | | |
| Transom depth | | | | | |
| Cill Required | | Y | N | | |
| Cill type | | | | | |
| Drain | | Base | Face | | |
| Head drip | | Y | N | | |
| Std Glass type | | | | | |
| Handle Colour | | | | | |
| Reveal | | Bay to reveal | | | |
| | | Bay to outer-wall | | | |
| Location | | | | | |

1. All frames viewed from outside, all sizes include cills or add-ons if required.
2. Window arrows must point to hinges.
3. Please check all details shown before signing acceptance of this order form.
4. The sizes written are the sizes we order for you. We will not make any deductions.
5. Any changes to the above could result in extra costs.

CUSTOMER SIGNATURE:.....
 PRINT NAME.....
 PROCESSES SIGNATURE.....
 DATE.....